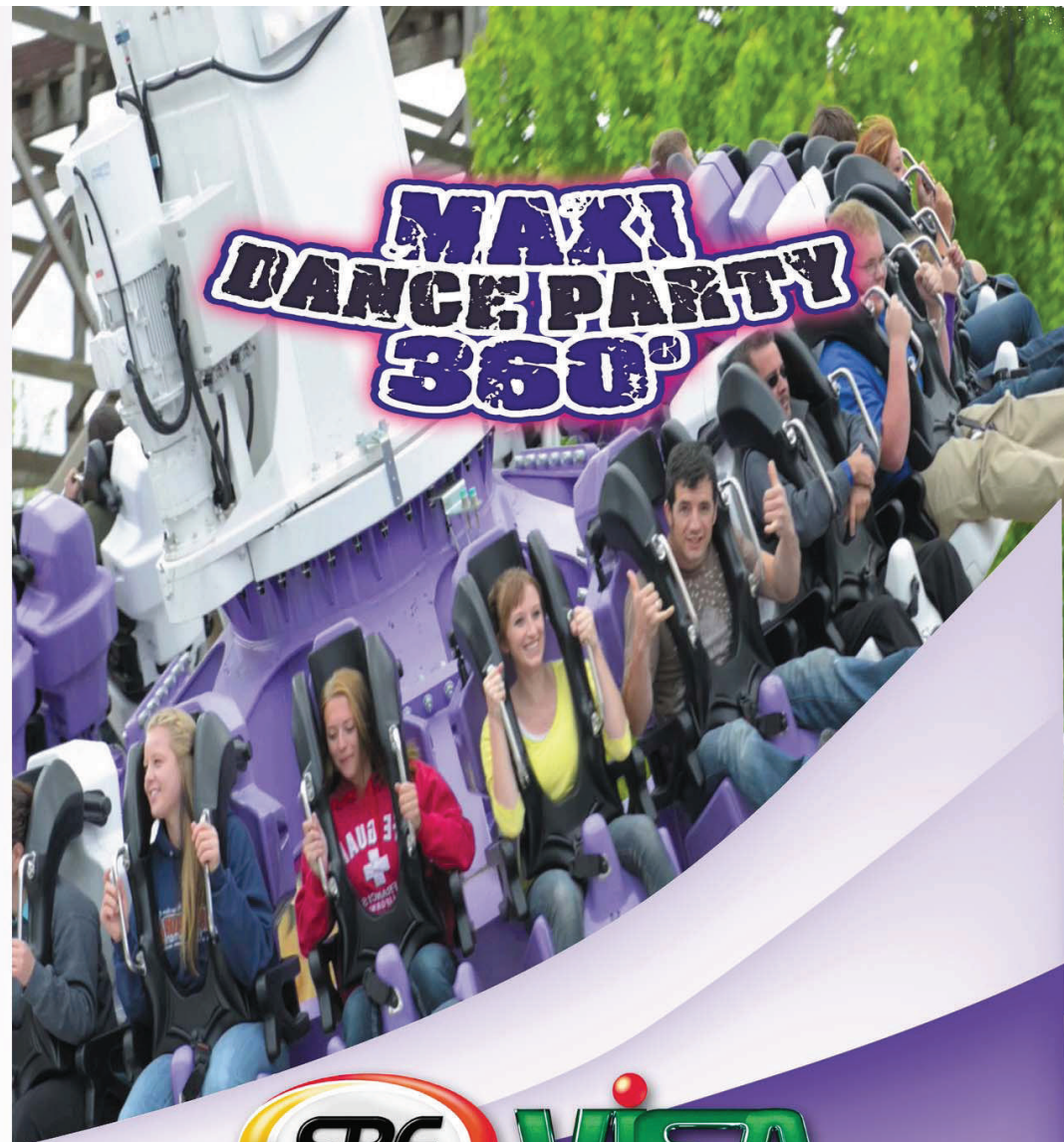


S.B.F. DESIGN DPTF - 06/2003



MAXI DANCE PARTY 360°

Dimensioni Base - Base sizes	21.5 x 16.4 x 30.7 m. (70'6"x53'10"x100'6")
Altezza max - Max height	31.6 m. (104')
Angolo max - Max swinging	360°
Velocità max colonna - Max speed column	11 rpm
Velocità max rotazione - Max rotation speed	13 rpm
Posti - Seats	24
Capacità oraria - Hourly capacity	480
Forza motrice - Motion power	138 kw - 220/380/415 V - 50/60 Hz
Luci - Lights	18 kw - 110/220/240 V - 50/60 Hz



GROUP

S.B.F. srl
Via Dei Placco, 217 int.1
35040 Casale di Scodosia (Padova) ITALY
Ph: +39-0429-847098 • Fax: +39-0429-878287
E-mail: sbf@sbfrides.com • www.sbfrides.com

VISA International srl
Via Dell'Apprendistato, 2
35044 Montagnana (Padova) ITALY
Ph: +39-0429-804622 • Fax: +39-0429-81699
E-mail: visa@visarides.it • www.visarides.it



GROUP

Manufacturer of Amusement Rides

MAKI DANCE PARTY 360°

A 104 foot tall thrill ride with a cylindrical-shaped vehicle that seats 24 people facing outward, with legs dangling and wearing only a harness.

The vehicle rotates 360 degrees at 13 revolutions per minute while at the same time swings like a giant pendulum all the way upside down 104 feet above the ground bringing riders all the way around over and over again at three and a half times the normal gravitational pull.

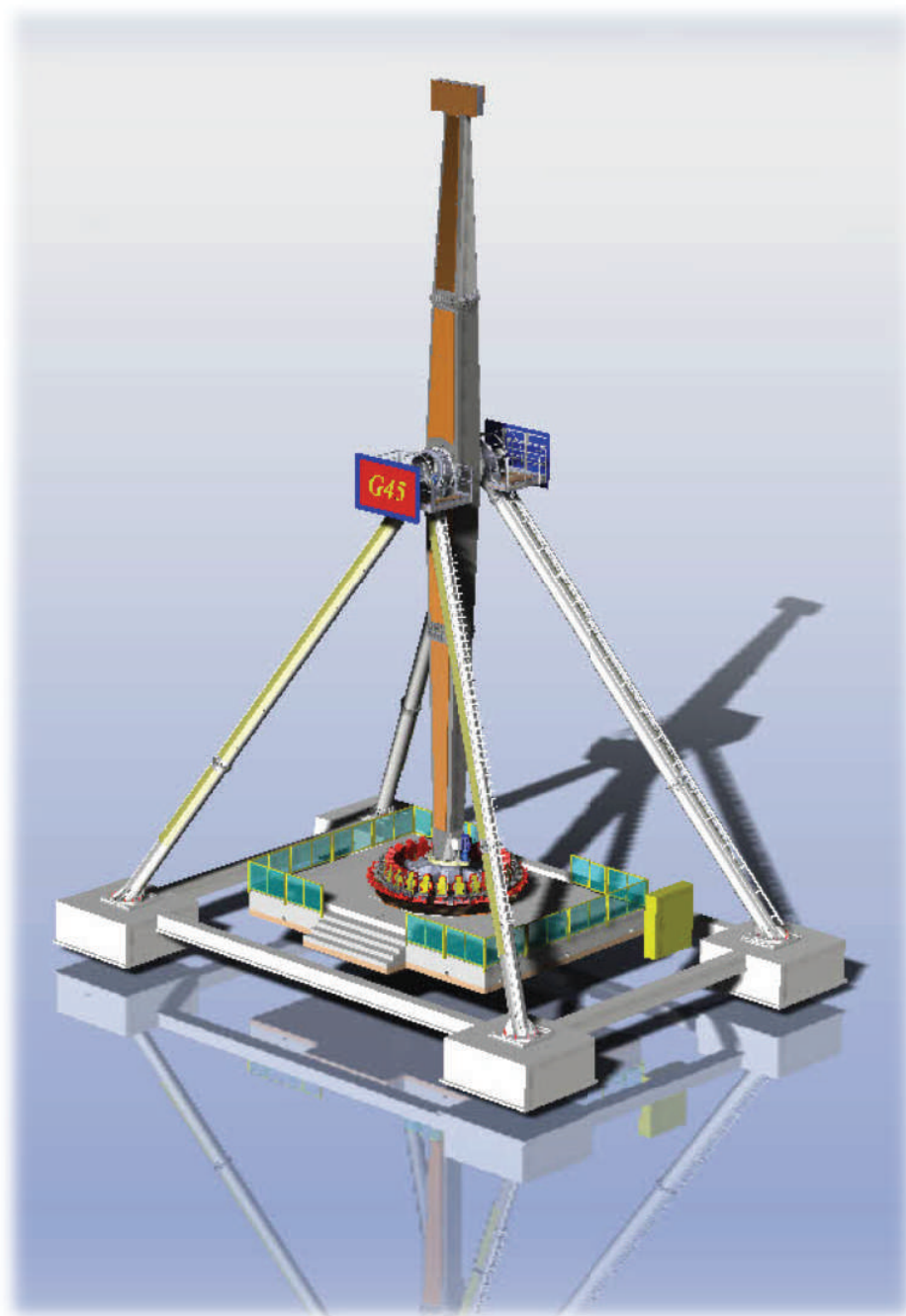
Will you be able to handle it?

SBF **VISA**
GROUP





Maxi Dance Party 360°





1.0 TABELLA TECNICA - TECHNICAL FEATURES

MAXI DANCE PARTY 360°	
This Ride Data conforms to the requirements of ASTM F698 / F1193 and N.J.A.C. 5:14A	
MODEL SERIAL NUMBER
MANUFACTURER	VISA International, Srl
DATE OF MANUFACTURE	February 2013
PASSENGER CAPACITY	24 persons
MINIMUM RIDER HEIGHT	56" Unaccompanied
MAXIMUM RIDER HEIGHT	78"
MAXIMUM DISK LOAD	3.960 pounds
MAXIMUM LOAD ON A SEAT	225 pounds
SWING DIRECTION	360 degrees
SWING SPEED	Pre-Programmed
GONDOLA ROTATION	13 RPM
RIDE DURATION	2 minutes typical, 4 minutes recommended max.
RIDE POWER	138 Kw, 220 VAC, 60 Hz
ILLUMINATION POWER	18 Kw, 220 VAC, 60 Hz
OPERATING DIMENSIONS	Width 109 ft, Depth 54 ft Safety Height 111 ft.
MAXIMUM WIND SPEED	30 Mph operating 40 Mph Not Operating (115 Mph if anchored)
RIDE WEIGHT EMPTY	117.948 pounds
RIDE STATIC + DYNAMIC OPERATING	See Ground Loading Drawing
ENVIRONMENTAL LIMITS	Do not operate in rain, snow, hail or thunderstorms
APPLICABLE STANDARDS	ASTM F 2291 harmonized with EN13814 – DIN15018 – DIN17100 – DIN18800